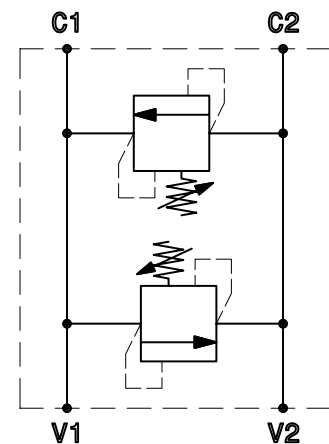
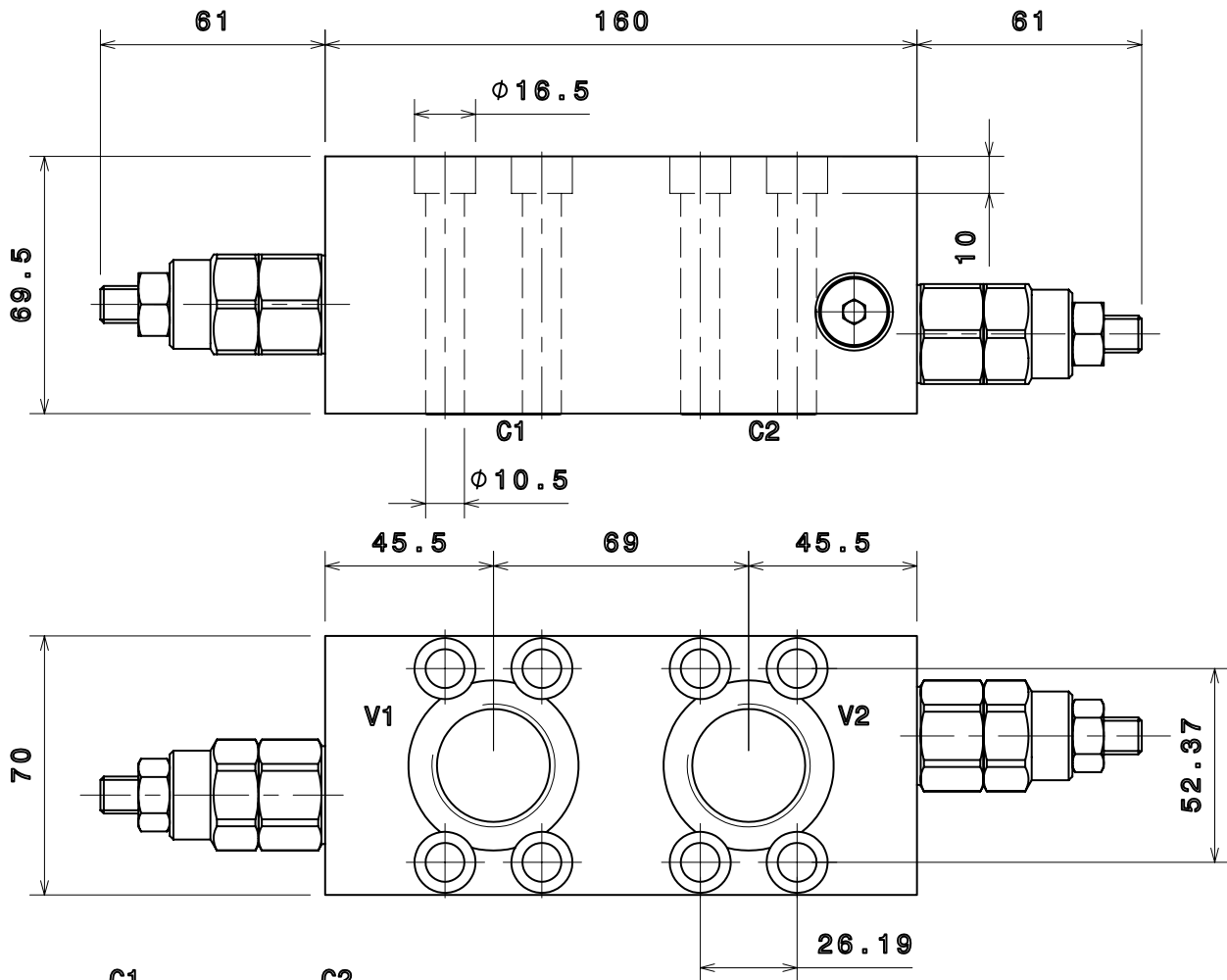




## SIZE AND TECHNICAL DATA

**RVDA 80**

**RVDA SERIES**



PORTS DIMENSION	
V1,V2	1" BSPP
C1,C2	O-ring 2-125

### TECHNICAL DATA

Material	Anodized aluminium corrosion resistant	
Maximum pressure	300 bar	
Maximum flow rate	80 l/min	
Relief valve setting range	A	20-100 bar standard setting 80 bar
	B	40-250 bar standard setting 180 bar
	C	60-350 bar standard setting 250 bar

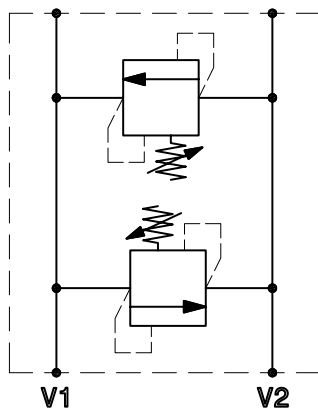
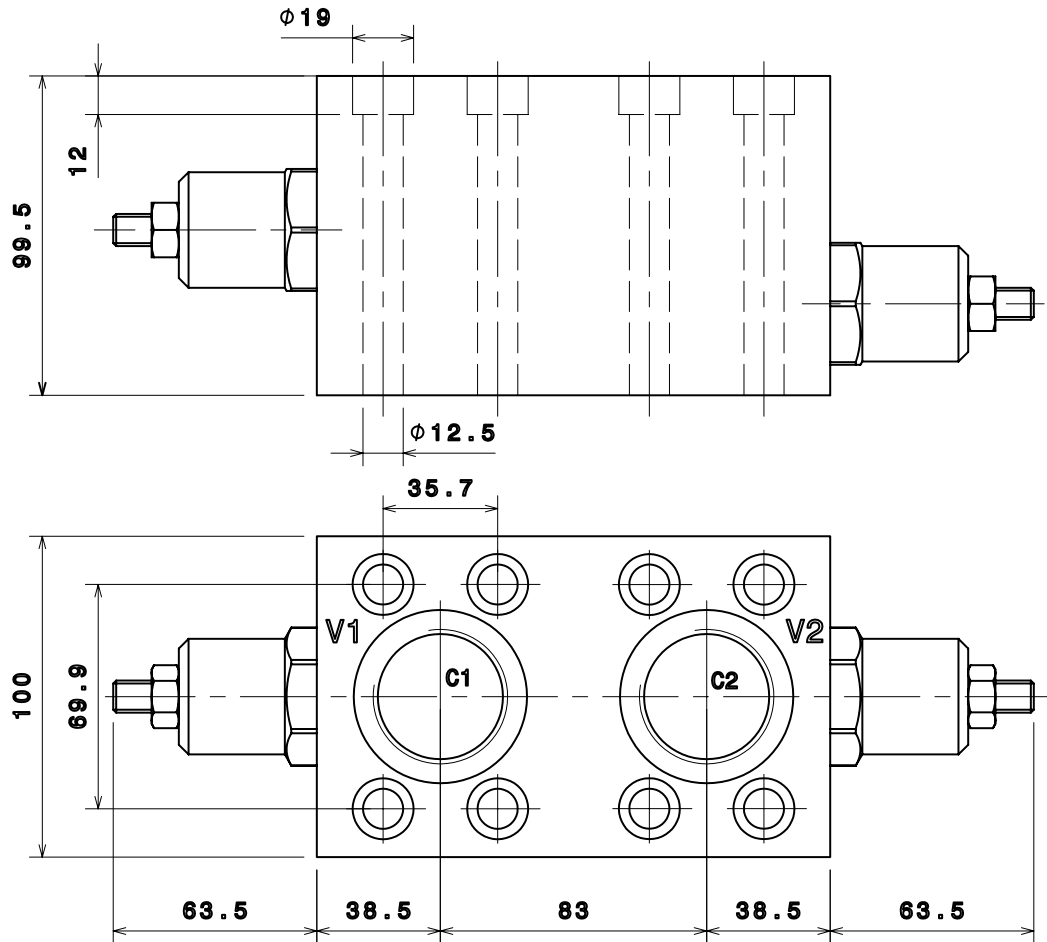
Intermot distributor fitting

**D47**

## SIZE AND TECHNICAL DATA

**RVDA 200**

**RVDA SERIES**



PORTS DIMENSION	
V1,V2	1"1/4 BSPP
C1,C2	O-Ring 2-224

TECHNICAL DATA	
Material	Anodized aluminium corrosion resistant
Maximum pressure	300 bar
Maximum flow rate	200 l/min
Relief valve setting range	A
	20-100 bar standard setting 80 bar
	B
40-250 bar standard setting 180 bar	
C	
60-350 bar standard setting 250 bar	

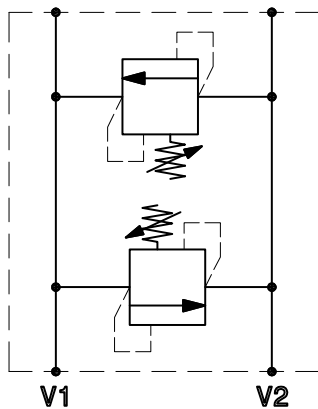
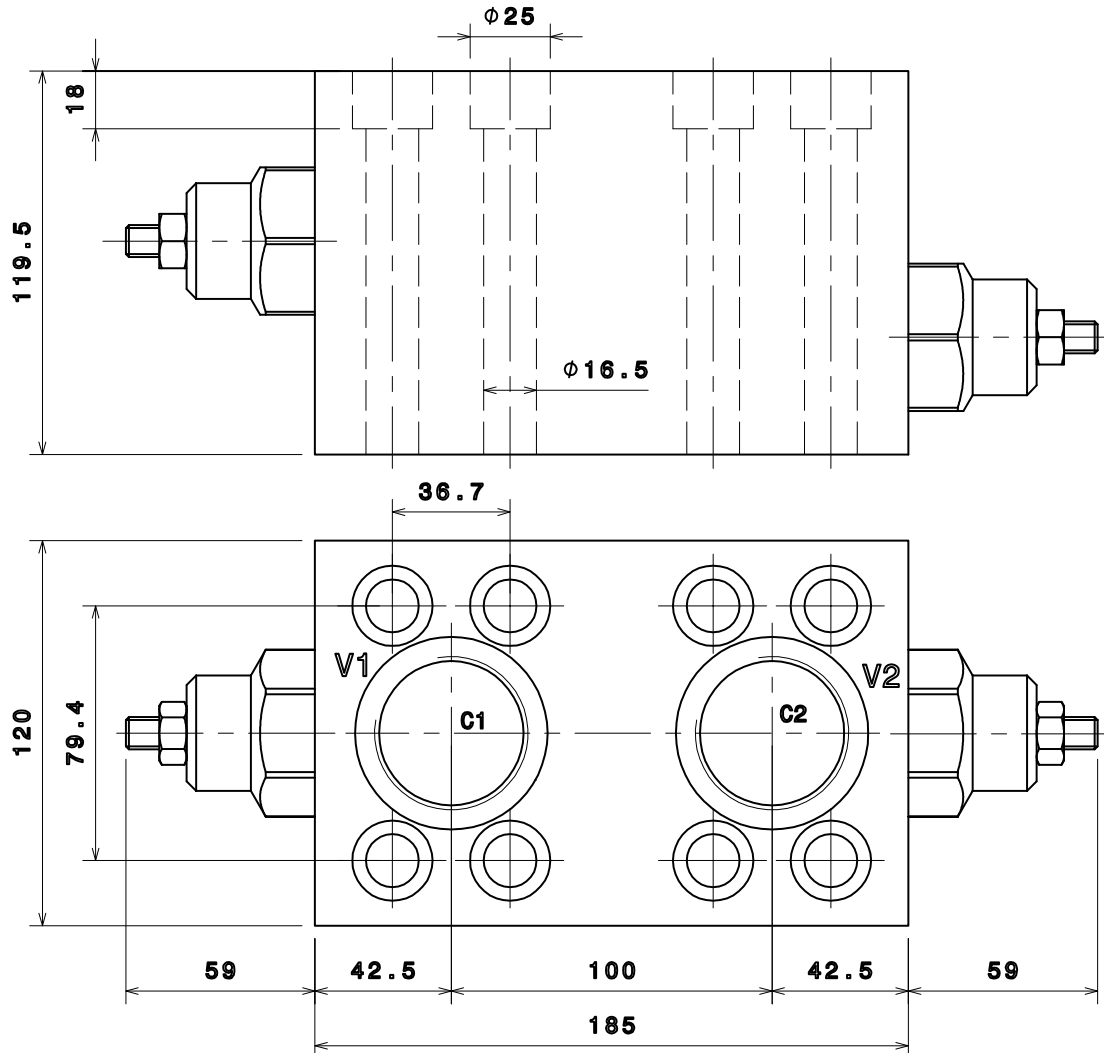
Intermot distributor fitting

**D75**

## SIZE AND TECHNICAL DATA

**RVDA 380**

**RVDA SERIES**



PORTS DIMENSION	
V1,V2	1"1/2 BSPP
C1,C2	O-Ring 2-225

### TECHNICAL DATA

Material	Anodized aluminium corrosion resistant	
Maximum pressure	300 bar	
Maximum flow rate	380 l/min	
Relief valve setting range	A	20-100 bar standard setting 80 bar
	B	40-250 bar standard setting 180 bar
	C	60-350 bar standard setting 250 bar

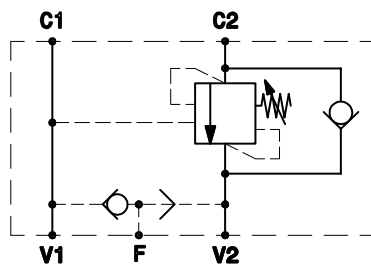
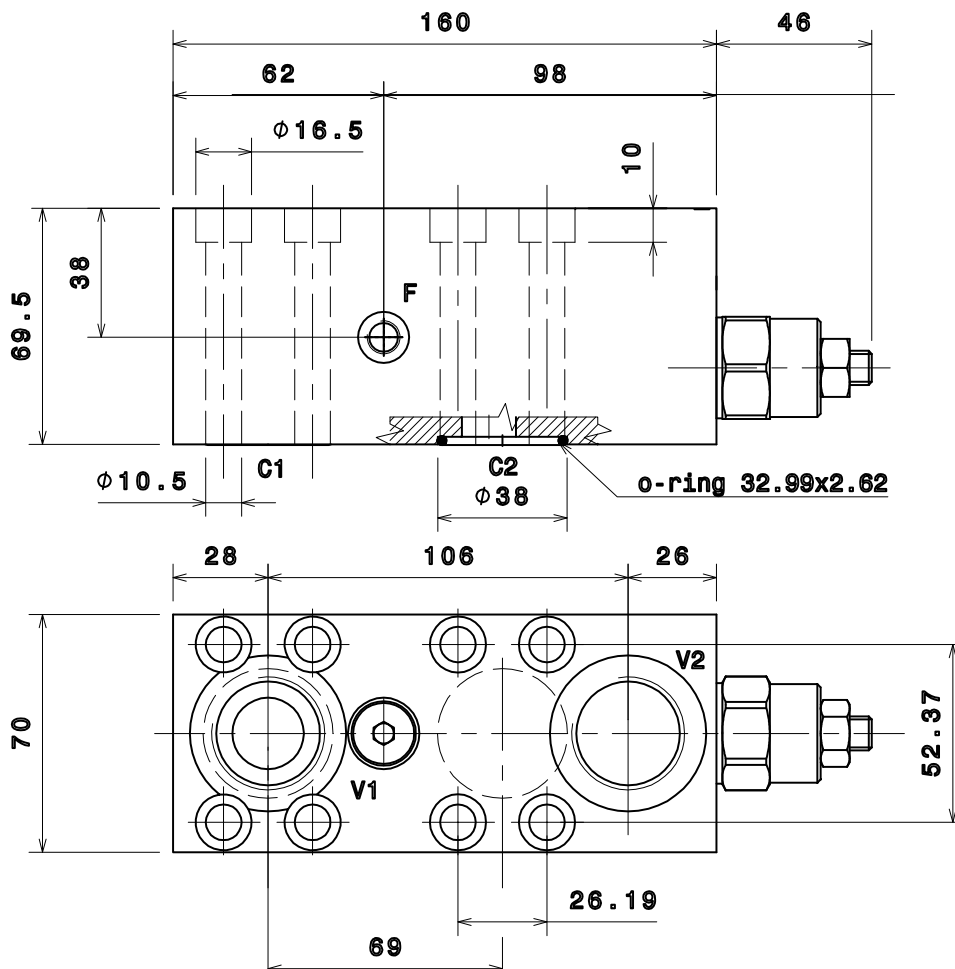
Intermot distributor fitting

**D90**

## SIZE AND TECHNICAL DATA

OVSA 160

OVSA SERIES



PORTS DIMENSION	
V1,V2	1" BSPP
C1,C2	O-ring 2-125
F	1/4" BSPP

TECHNICAL DATA	
Material	Anodized aluminium corrosion resistant
Peak pressure	350 bar
Maximum pressure	270 bar
Maximum flow rate	150 l/min
Pilot ratio	1 3:1
	2 4.25:1
	3 8:1
	4 10:1
Relief valve setting range	A 20-200 bar standard setting 100 bar
	B 50-350 bar standard setting 280 bar

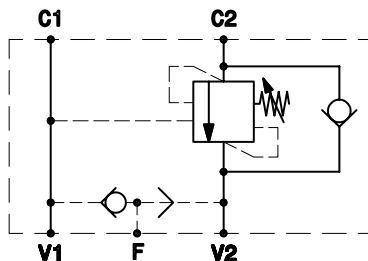
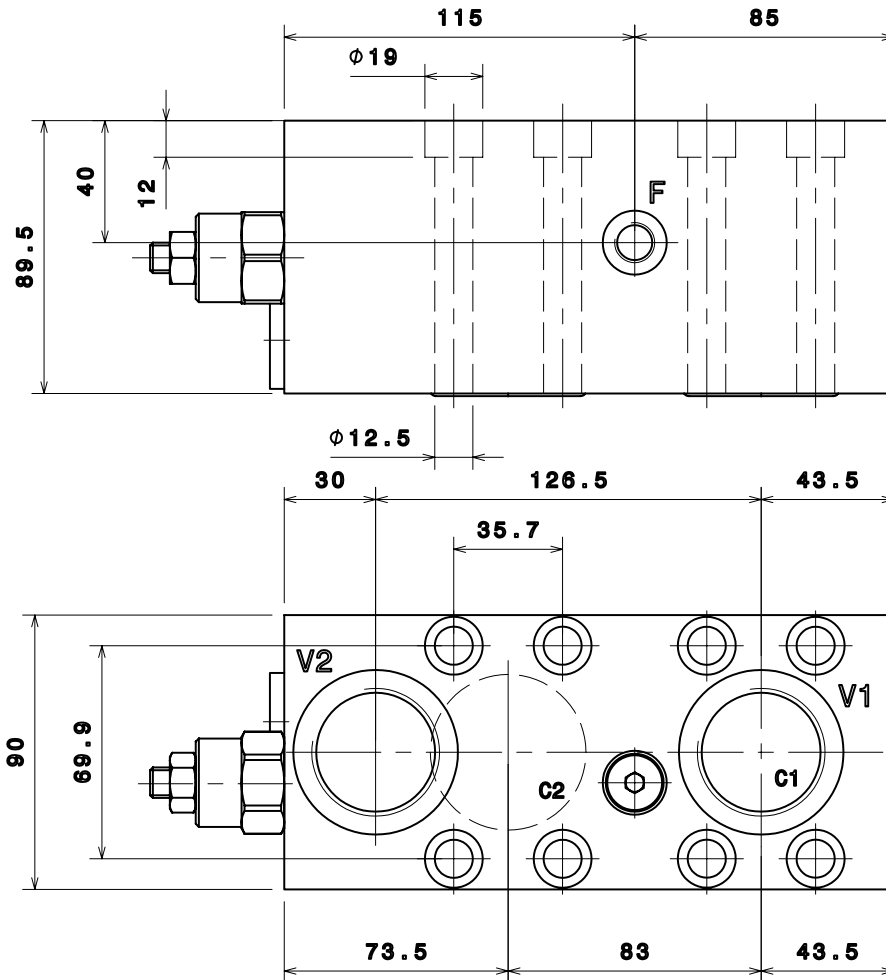
Intermot distributor fitting

**D47**

## SIZE AND TECHNICAL DATA

OVSA 300

OVSA SERIES



PORTS DIMENSION	
V1,V2	1"1/4 BSPP
C1,C2	O-Ring 2-224
F	1/4" BSPP

### TECHNICAL DATA

Material	Anodized aluminium corrosion resistant	
Peak pressure	350 bar	
Maximum pressure	300 bar	
Maximum flow rate	300 l/min	
Pilot ratio	1	3:1
	2	4.25:1
	3	8:1
	4	10:1
Relief valve setting range	A	20-200 bar standard setting 100 bar
		B

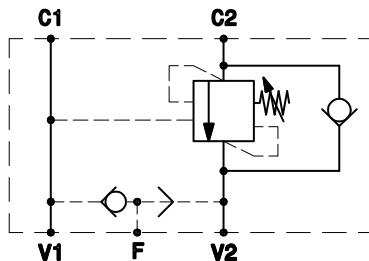
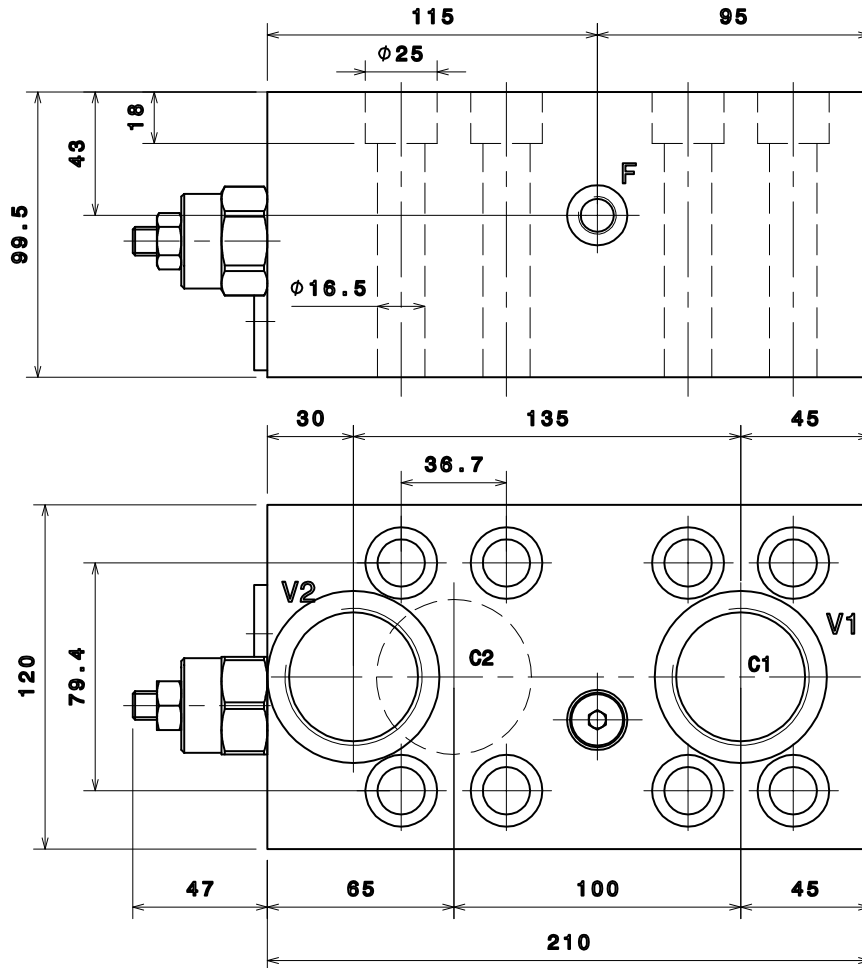
Intermot distributor fitting

**D75**

# SIZE AND TECHNICAL DATA

OVSA 480

OVSA SERIES



PORTS DIMENSION	
V1,V2	1"1/2 BSPP
C1,C2	O-Ring 2-225
F	1/4" BSPP

TECHNICAL DATA	
Material	Anodized aluminium corrosion resistant
Peak pressure	350 bar
Maximum pressure	300 bar
Maximum flow rate	480 l/min
Pilot ratio	1 3:1
	2 4.25:1
	3 8:1
	4 10:1
Relief valve setting range	A 20-200 bar standard setting 100 bar
	B 50-350 bar standard setting 280 bar

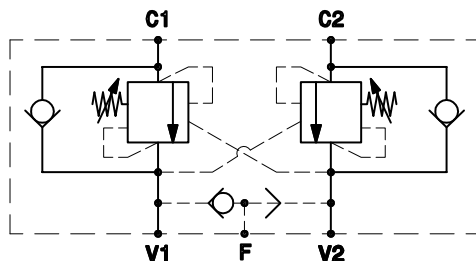
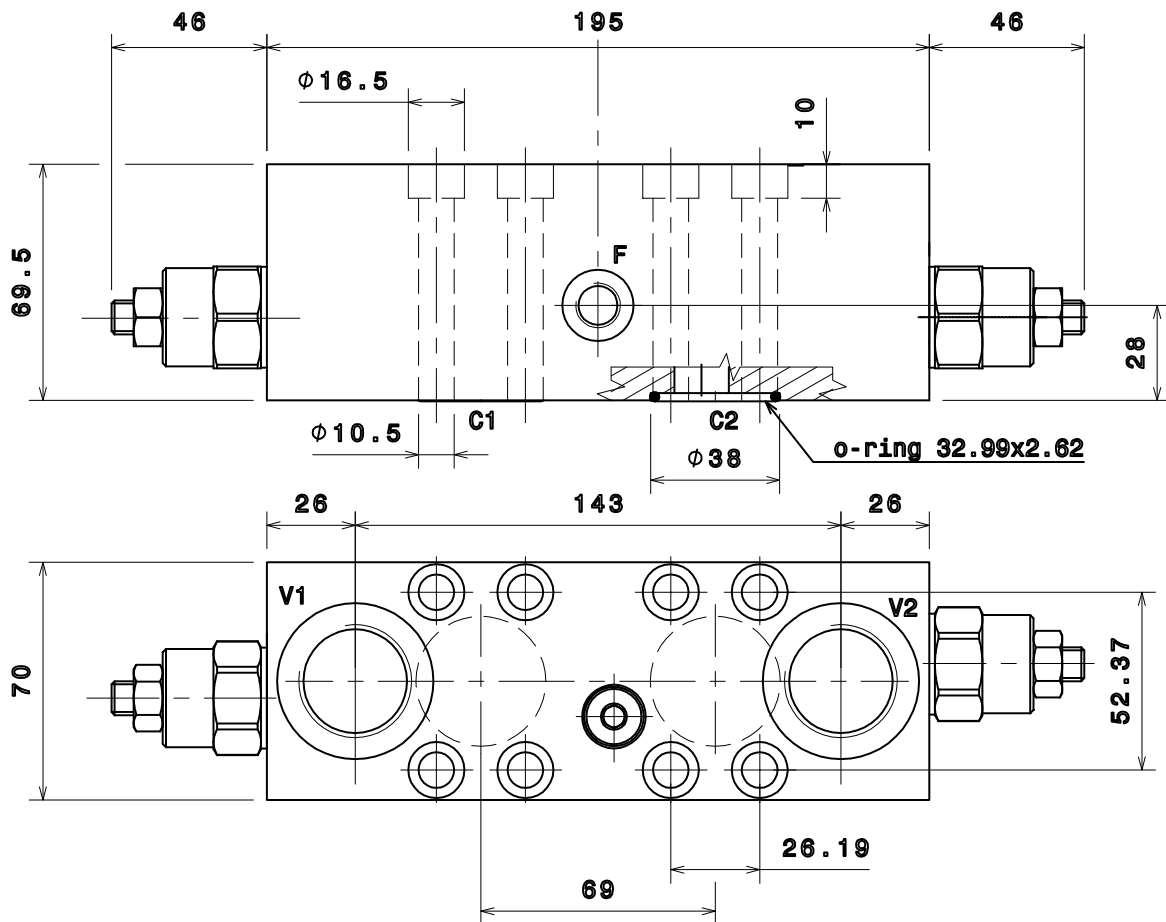
Intermot distributor fitting

**D90**

## SIZE AND TECHNICAL DATA

OVDA 160

**OVDA SERIES**



PORTS DIMENSION	
V1,V2	1" BSPP
C1,C2	O-ring 2-125
F	1/4" BSPP

### TECHNICAL DATA

Material	Anodized aluminium corrosion resistant	
Peak pressure	350 bar	
Maximum pressure	270 bar	
Maximum flow rate	150 l/min	
Pilot ratio	1	3:1
	2	4.25:1
	3	8:1
	4	10:1
Relief valve setting range	A	20-200 bar standard setting 100 bar
	B	50-350 bar standard setting 280 bar

Intermot distributor fitting

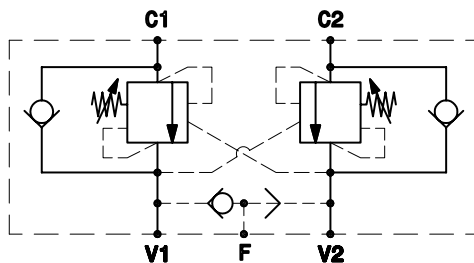
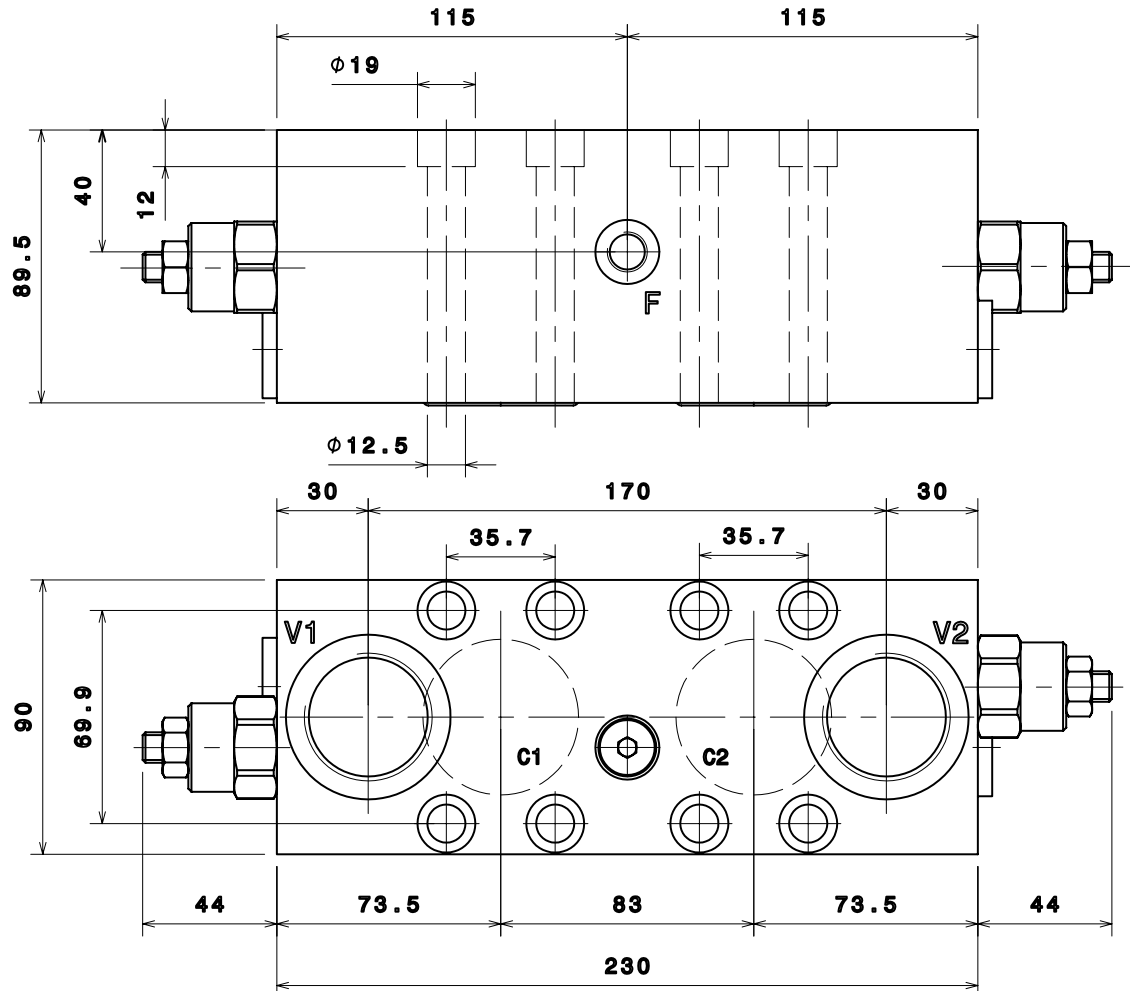
**D47**



## SIZE AND TECHNICAL DATA

OVDA 300

OVDA SERIES



PORTS DIMENSION	
V1,V2	1"1/4 BSPP
C1,C2	O-Ring 2-224
F	1/4" BSPP

### TECHNICAL DATA

Material	Anodized aluminium corrosion resistant	
Peak pressure	350 bar	
Maximum pressure	300 bar	
Maximum flow rate	300 l/min	
Pilot ratio	1	3:1
	2	4.25:1
	3	8:1
	4	10:1
Relief valve setting range	A	20-200 bar standard setting 100 bar
		B

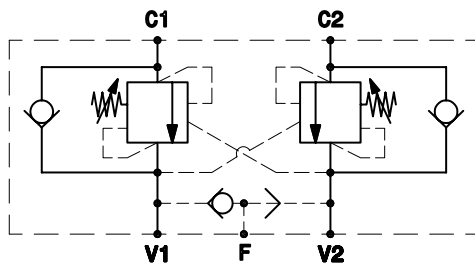
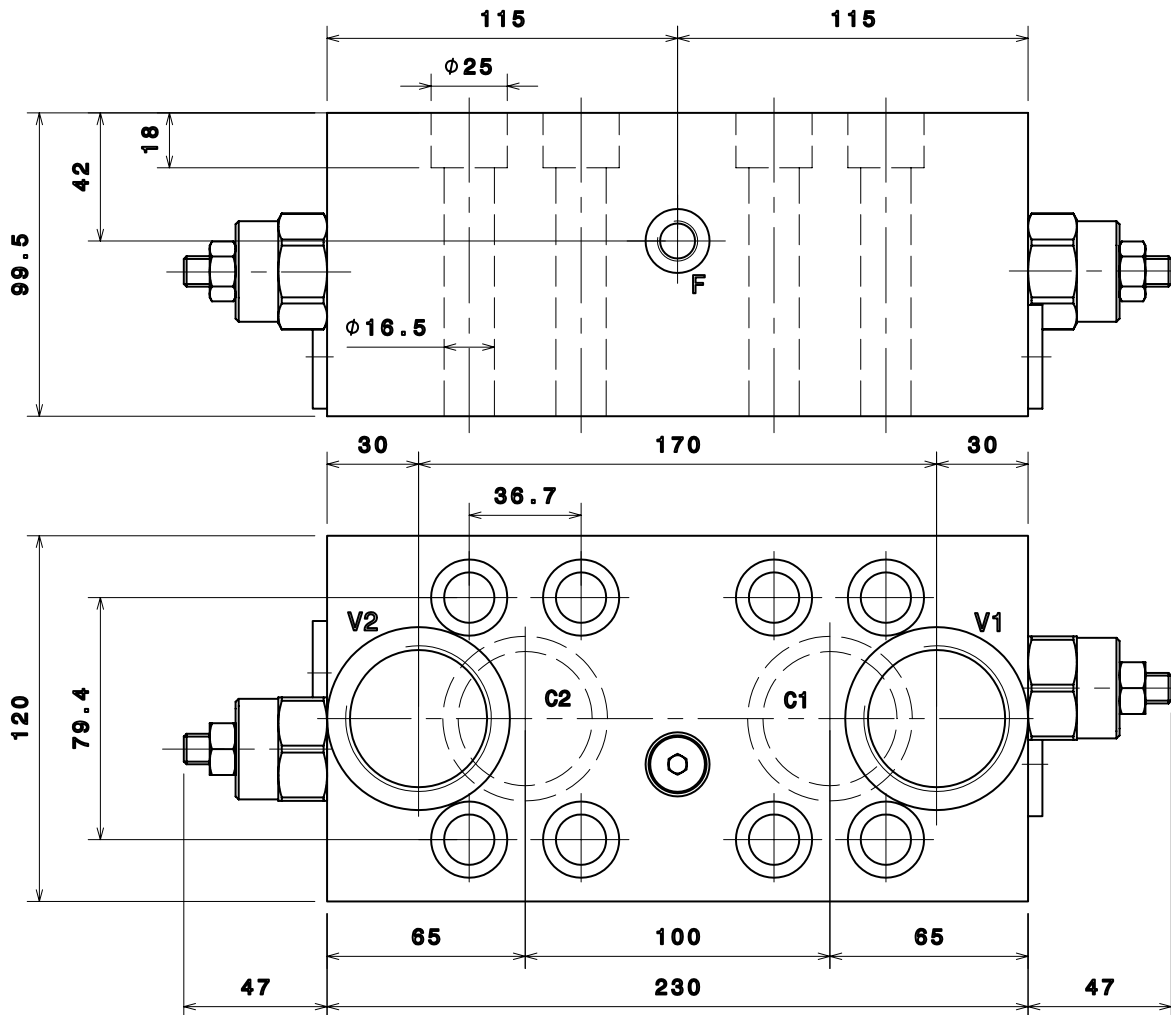
Intermot distributor fitting

**D75**

## SIZE AND TECHNICAL DATA

OVDA 480

**OVDA SERIES**



PORTS DIMENSION	
V1,V2	1"1/2 BSPP
C1,C2	O-Ring 2-225
F	1/4" BSPP

### TECHNICAL DATA

Material	Anodized aluminium corrosion resistant	
Peak pressure	350 bar	
Maximum pressure	300 bar	
Maximum flow rate	480 l/min	
Pilot ratio	1	3:1
	2	4.25:1
	3	8:1
	4	10:1
Relief valve setting range	A	20-200 bar standard setting 100 bar
		B

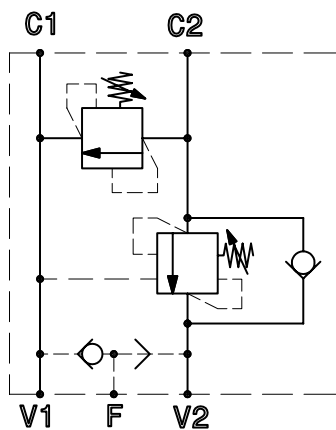
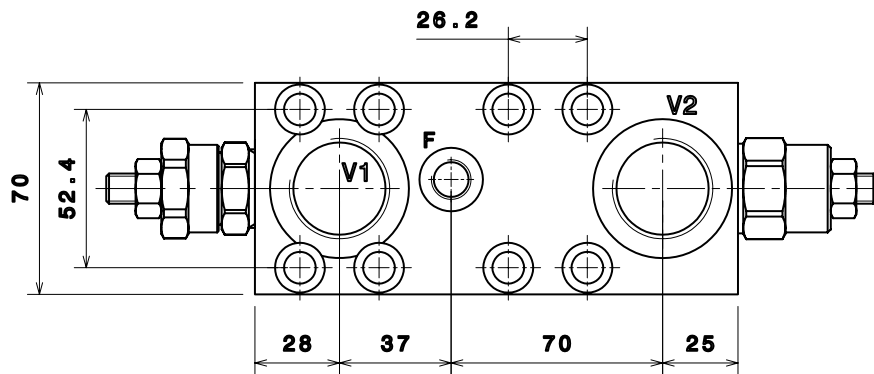
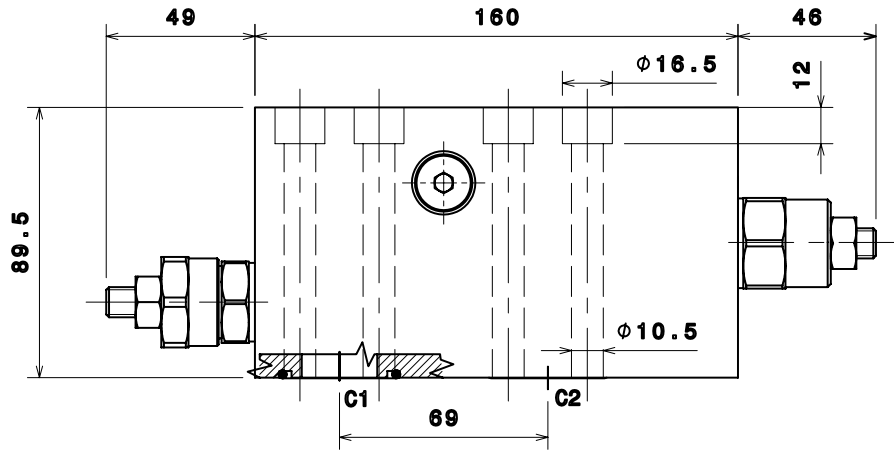
Intermot distributor fitting

**D90**

# SIZE AND TECHNICAL DATA

ORVSA 160

ORVSA SERIES



PORTS DIMENSION	
V1,V2	1" BSPP
C1,C2	O-Ring 2-126
F	1/4" BSPP

TECHNICAL DATA	
Material	Anodized aluminium corrosion resistant
Peak pressure	350 bar
Maximum pressure	300 bar
Maximum flow rate	150 l/min
Pilot ratio	1 3:1
	2 4.25:1
	3 8:1
	4 10:1
OVC relief valve setting range	A 20-200 bar standard setting 100 bar
	B 50-350 bar standard setting 280 bar
VLP relief valve setting range	A 20-100 bar standard setting 80 bar
	B 40-250 bar standard setting 180 bar
	C 60-350 bar standard setting 250 bar

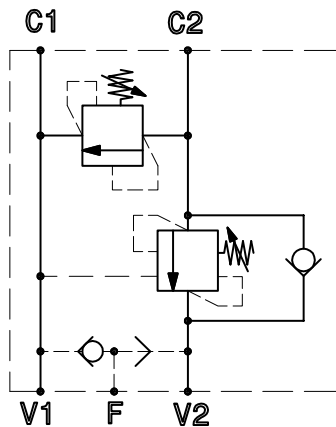
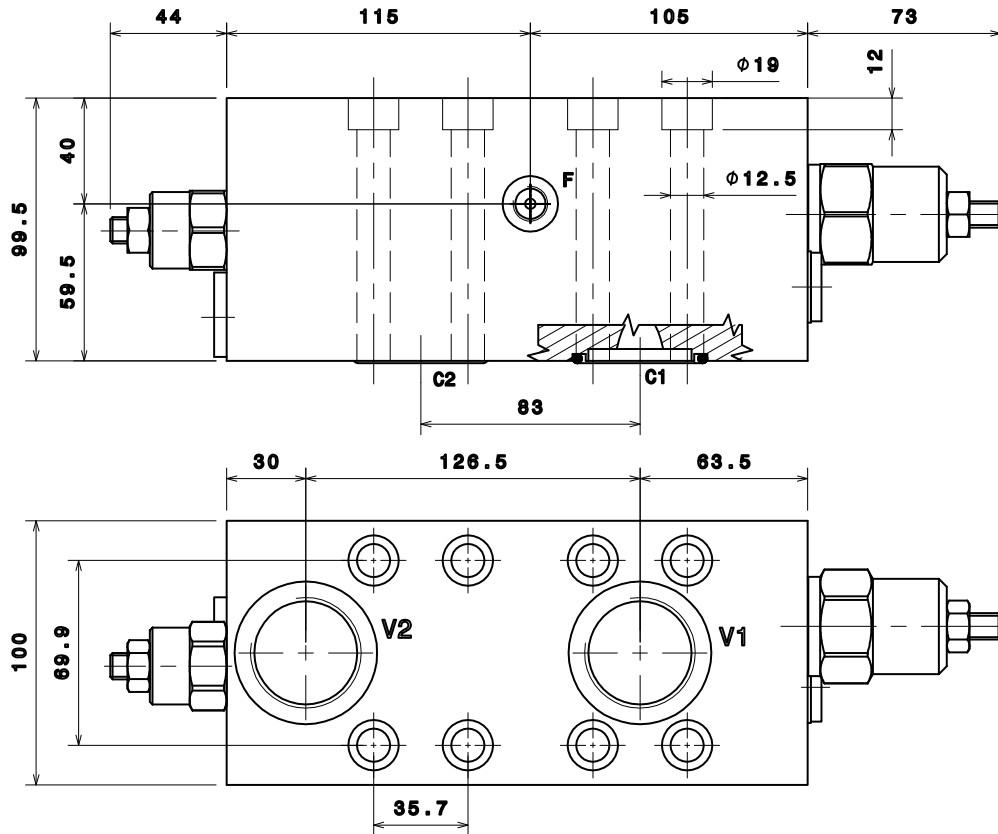
Intermot distributor fitting

D47

## SIZE AND TECHNICAL DATA

ORVSA 300

ORVSA SERIES



PORTS DIMENSION	
V1,V2	1"1/4 BSPP
C1,C2	O-Ring 2-224
F	1/4" BSPP

TECHNICAL DATA	
Material	Anodized aluminium corrosion resistant
Peak pressure	350 bar
Maximum pressure	300 bar
Maximum flow rate	300 l/min
Pilot ratio	1 3:1
	2 4.25:1
	3 8:1
	4 10:1
OVC relief valve setting range	A 20-200 bar standard setting 100 bar
	B 50-350 bar standard setting 280 bar
VLP relief valve setting range	A 20-100 bar standard setting 80 bar
	B 40-250 bar standard setting 180 bar
	C 60-350 bar standard setting 250 bar

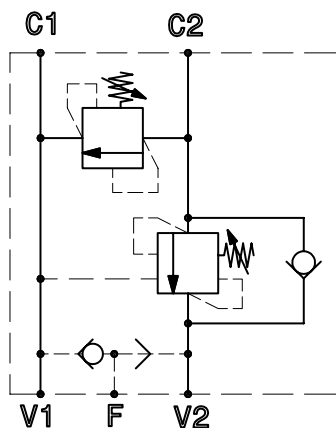
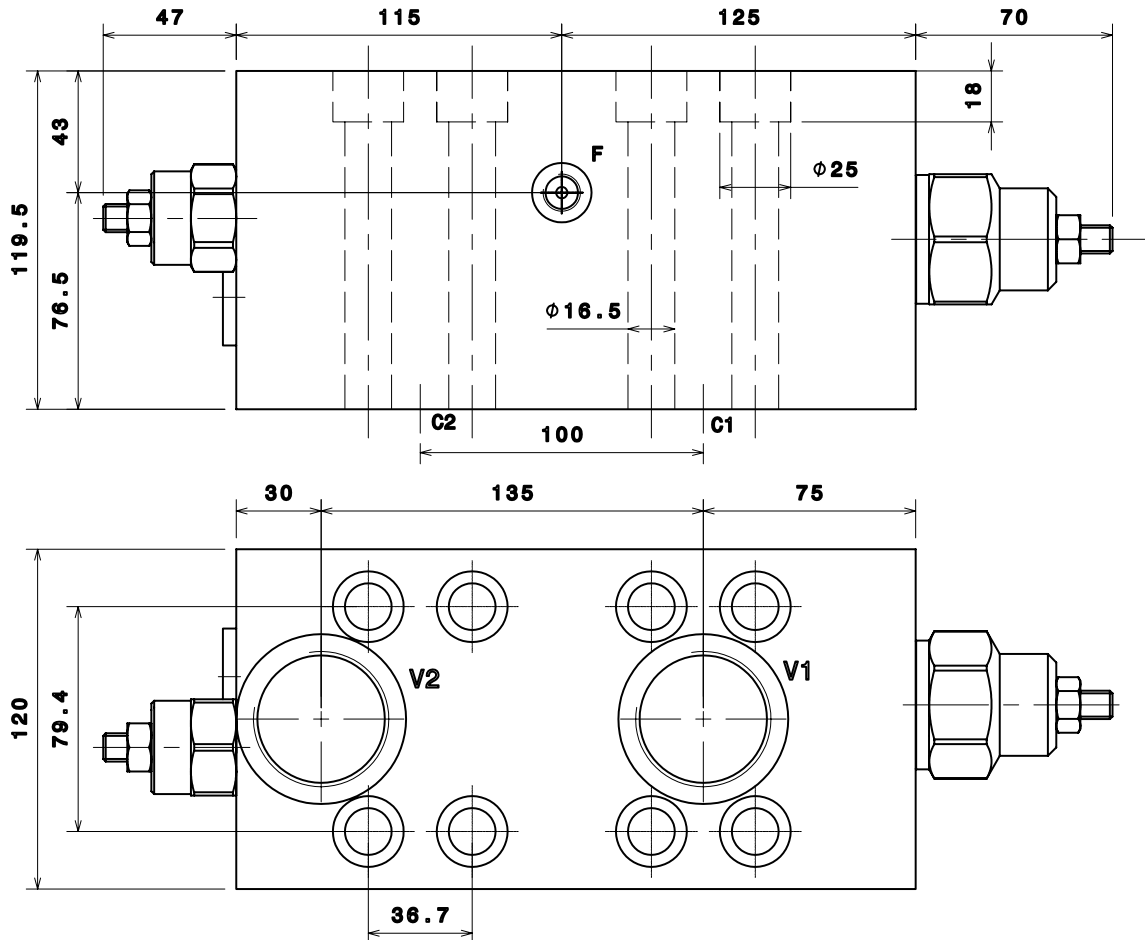
Intermot distributor fitting

**D75**

## SIZE AND TECHNICAL DATA

ORVSA 480

ORVSA SERIES



PORTS DIMENSION	
V1,V2	1"1/2 BSPP
C1,C2	O-Ring 2-225
F	1/4" BSPP

TECHNICAL DATA	
Material	Anodized aluminium corrosion resistant
Peak pressure	350 bar
Maximum pressure	300 bar
Maximum flow rate	480 l/min
Pilot ratio	1 3:1
	2 4.25:1
	3 8:1
OVC relief valve setting range	A 20-200 bar standard setting 100 bar
	B 50-350 bar standard setting 280 bar
VLP relief valve setting range	A 20-100 bar standard setting 80 bar
	B 40-250 bar standard setting 180 bar
	C 60-350 bar standard setting 250 bar

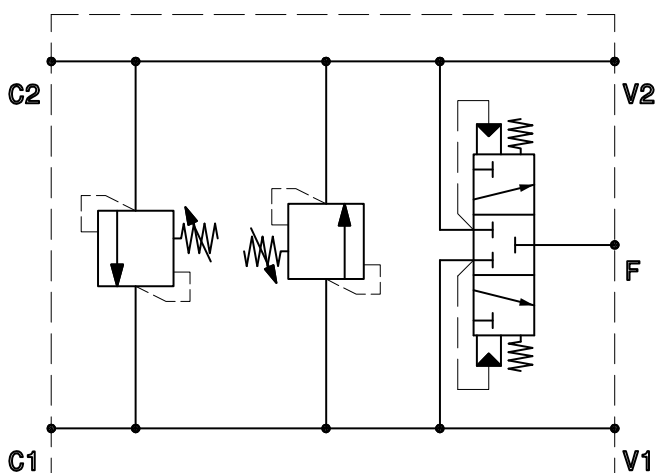
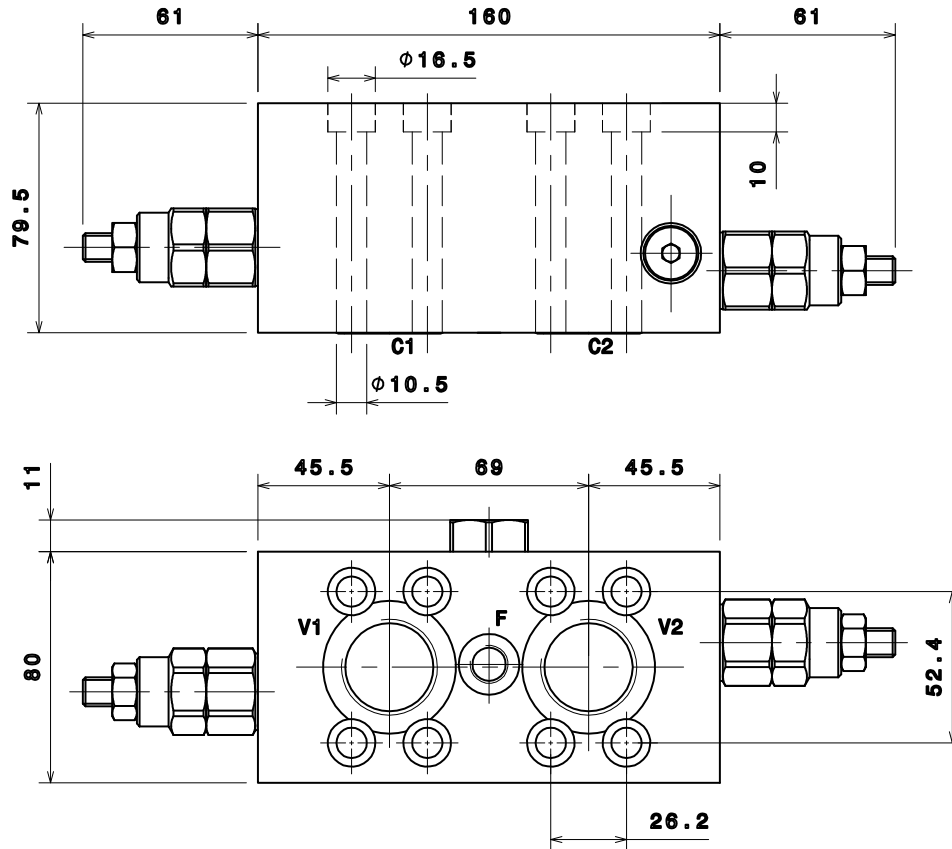
Intermot distributor fitting

D90

## SIZE AND TECHNICAL DATA

RVDAP 80

RVDAP SERIES



TECHNICAL DATA	
Material	Anodized aluminium corrosion resistant
Maximum pressure	300 bar
Maximum flow rate	80 l/min
Relief valve setting range	A
	20–100 bar standard setting 80 bar
	B
40–250 bar standard setting 180 bar	
C	
60–350 bar standard setting 250 bar	

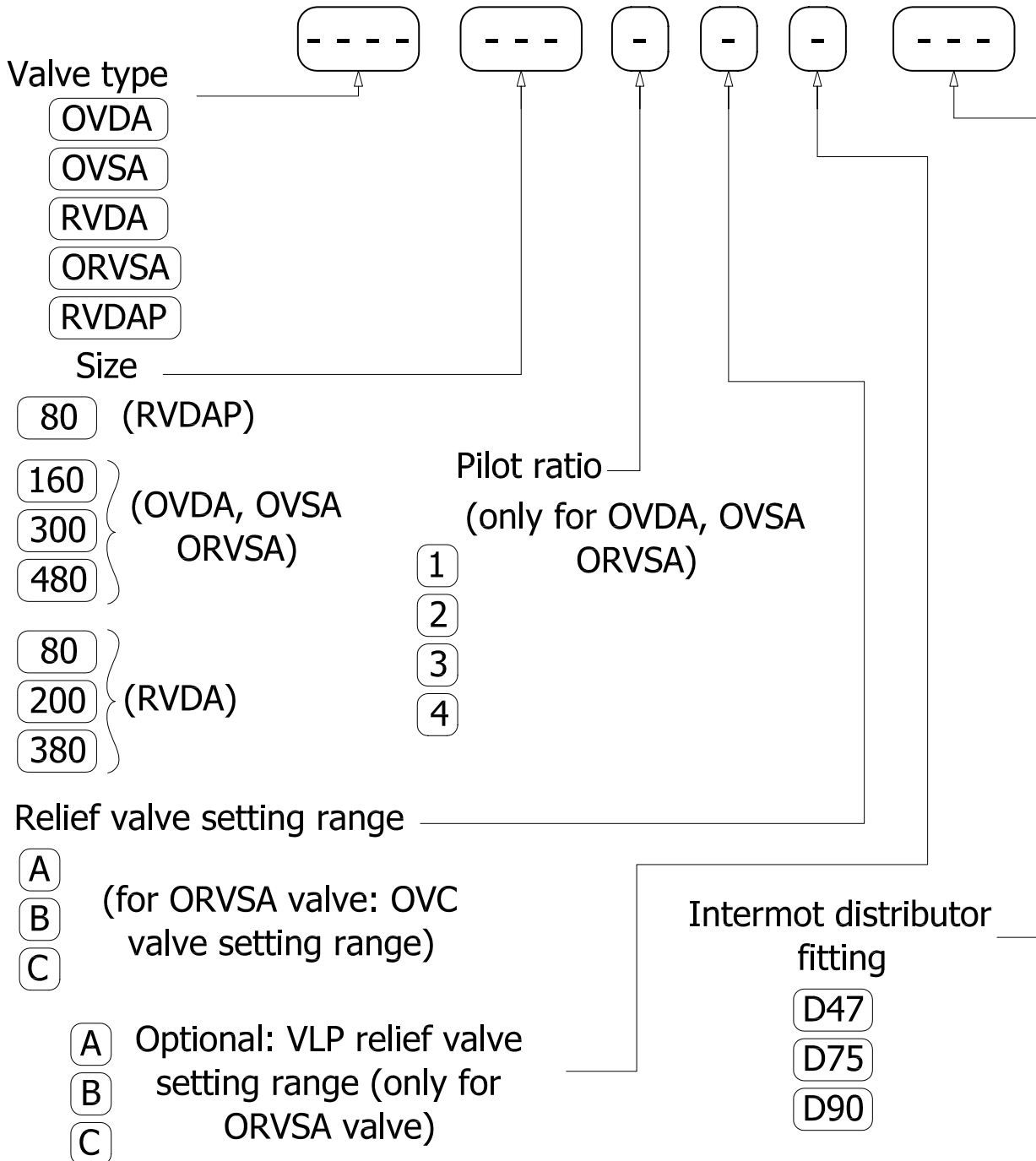
PORTS DIMENSION	
V1,V2	1" BSPP
C1,C2	O-Ring 2-125
F	1/4" BSPP

Intermot distributor fitting

D47

# ORDERING INSTRUCTIONS

# VALVES



**EXAMPLE:** OVDA.300.1.A.D75  
RVDA.200.C.D75  
OVSA.160.2.B.D47  
OVDA.480.1.A.D90  
ORVSA.160.3.A.B.D47  
RVDAP.80.B.D47